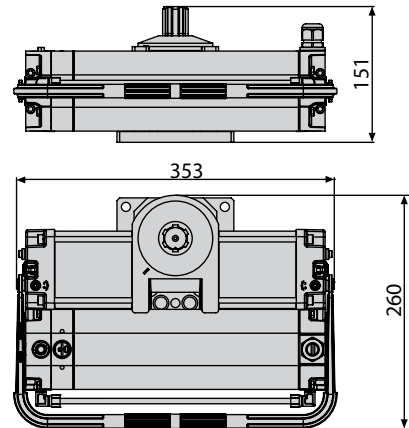


	Code	Name	Description
	P930123 00001	SUB BT	Underground low voltage hydraulic operator for swing gates up to 2.5m. 800kg in weight.

	SUB BT
Control unit	THALIA P
Motor power supply	24V
Maximum angle	120°
Cycle time	13sec.
Slowdown	yes
Impact reaction	d-track
Locking	open/close hydraulics
Release	lever or lever with personalised key
Frequency of use	very intensive
Environmental conditions	from -20°C to 60°C

Dimensions



THALIA P
Control panel for one or two 24V operators for swing gates

THALIA P D113747 00002

- Application: control panel for one or two 24V operators for swing gates
- Board power supply: 230V single-phase
- Operators power supply: 24Vdc 240W max each operator
- Main features: removable terminal blocks with new standard colour-coding, simplified scenario-based programming with display and incorporated dual channel receiver, D-Track anti-crushing system , slowdown during opening and closing and electronic self-learning
- Main features: automatic closing, rapid closing, partial opening, operation with deadman feature, direct connection powered solenoid lock and electromagnet, direct connection edge 8K2.
- Compatibility: LIBRA C MA, LIBRA C LX, LIBRA, LIBRA R, LIBRA MA R

Accessories

	Code	Name	Description
	D113747 00002	THALIA P	Control panel for one or two 24V operators for swing gates
	N733392	SCC	Release for ELI 250N and SUB BT with lever key.
	N733480 00001	FCS BT	Foundation box for SUB BT series operators
	N733502	SCP	Release for ELI 250 and SUB BT with personal key.