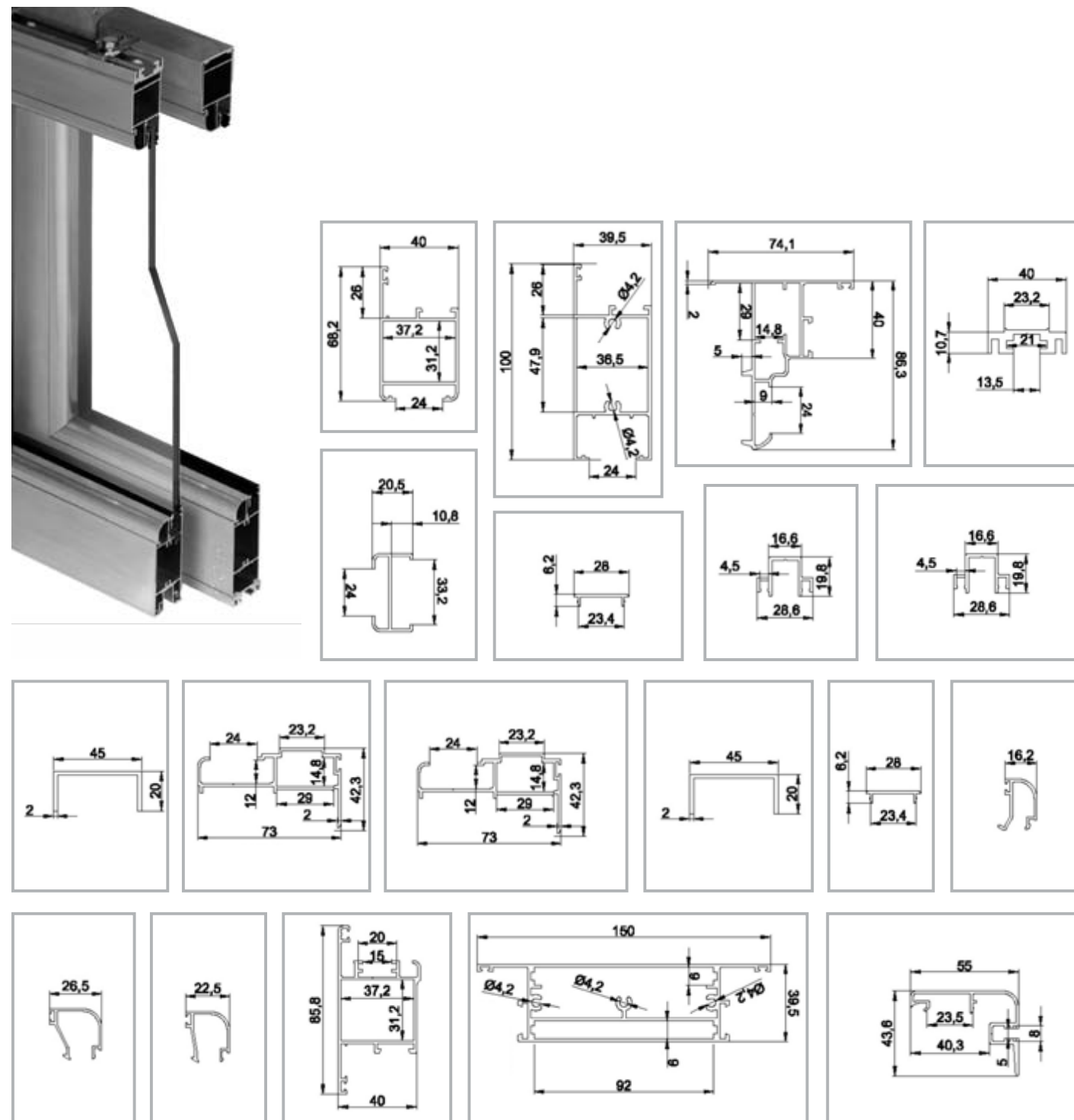


→ RANGE OF ALUMINIUM PROFILES FOR WINGS PRV L40

Complete range of profiles for doors and windows in anodised aluminium with a large section, developed for the production of doors and windows with harmonic and rounded shapes for residential or public use. Suitable for both fixed and sliding panels, they are easy to assemble and combine high performance with optimised work times. The range is completed by a wide selection of gaskets and accessories that ensure maximum air-tightness.



The contents of this catalogue (images, technical descriptions, illustrations) are the exclusive property of Bft S.p.A. Reproduction in any form and on any medium is forbidden. Copyright 2013. All rights reserved. The data in this publication are to be considered as indicative. Bft reserves the right to make any changes without prior notice.

Bft, tuned to you

With Bft, your job gets easier.

Because we don't just create "good" products, that work pretty well. Our thinking is beyond the short-term. We are conceiving, designing and creating high-tech solutions that are as advanced and effective as they are reliable and long-lasting.

Because we want to provide tools and services that truly are innovative, that will improve your performance and enhance your skills; and that will make your business easier, increasing its profitability.

Because our focus is on Quality with a capital Q. We just won't settle for less.

Bft Spa
Via Lago di Vico, 44
36015 Schio (VI)
T +39 0445 69 65 11
F +39 0445 69 65 22

→ www.bftautomation.com

VISTA

Automation for automatic pedestrian doors



DB32712.00201



tuned to you

→ RANGE OF ALUMINIUM PROFILES FOR WINGS PRV S20

Complete range of lightweight profiles for doors and windows in anodised aluminium with a reduced section, developed for the production of elegant modern doors and windows for residential or public use. Suitable for both fixed and sliding leaves, tracks, transom lights and bearing beams, they are easy to assemble and combine high performance with optimised work times. The range is completed by a wide selection of gaskets and accessories that ensure maximum air-tightness.

